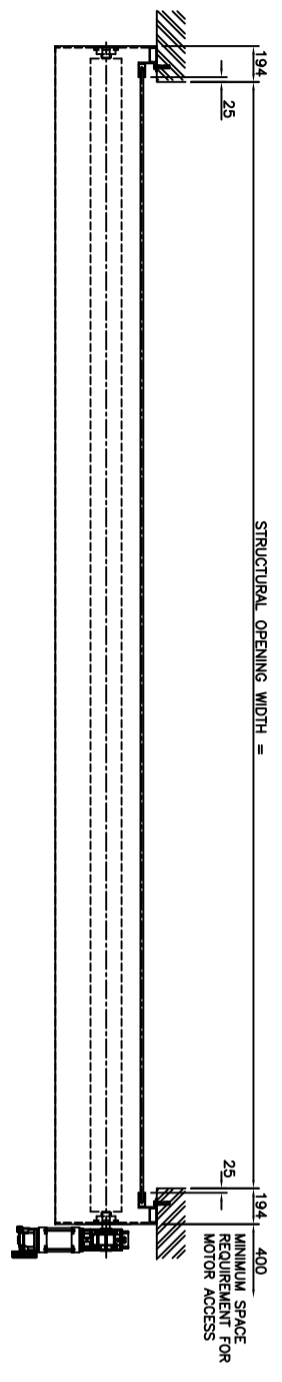
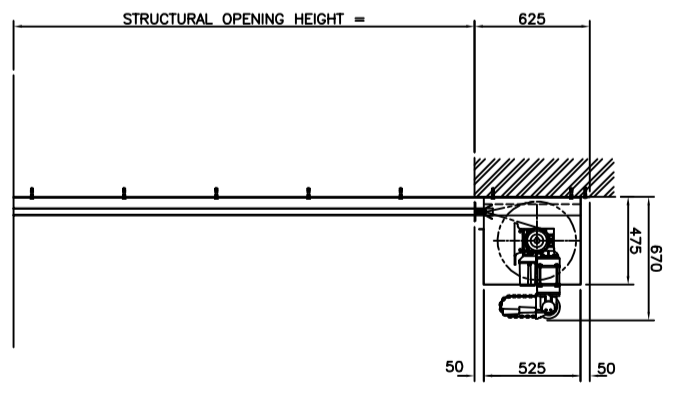
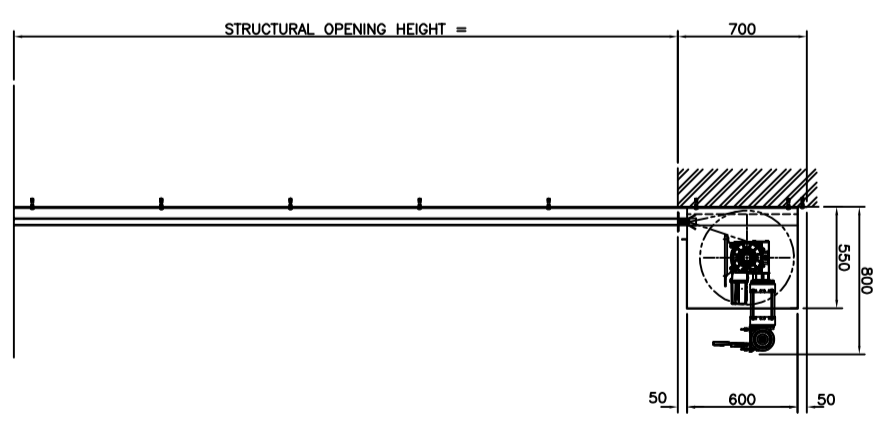


GALVANISED STEEL GRILLE (DIRECT DRIVE MOTOR) – UP TO 6000W x UP TO 2500H



GALVANISED STEEL GRILLE (DIRECT DRIVE MOTOR) – UP TO 6000W x 2501 TO 4000H



BOLTON GATE Co. LIMITED
 ARRANGEMENT FOR ELECTRICALLY OPERATED
 GALVANISED STEEL ROLLING GRILLE (DIRECT DRIVE
 MOTOR, FACE FIXED)